

# OPTIONAL PARTS:

## Order Separately

### DETACHABLE FLANGE

	Part No.	List Price
Square Flange	TRDA-25SN	\$10.00
Round Flange	TRDA-25RN	\$10.00

### MATING CONNECTOR KIT

	Part No.	List Price
LD 10 Pin	DMS3106E18-1S	\$45.00
TTL 7 Pin	DMS3106E16-1S	\$35.00
(Including Straight Plug w/Cable Clamp, Insertion & Bushing)		
Cable	CBL-2025N-XXXFT	\$ 3.00/Ft.

### BELL FLANGES / For Servo / Round Flange Encoder

NEMA 42-Flat Bottom	F-20	\$60.00
NEMA 42-Pilot@Bottom	F-21	\$60.00

### FLEXIBLE COUPLING

BT100-C.250-C.375	\$90.00
BT125-C.375-C.250	\$100.00
BT100-C.375-C.375	\$90.00
BT125-C.375-C.375	\$100.00
BT125-C.375-C.500	\$100.00
BT125-C.375-P8MM	\$100.00
BT125-C.375-P10MM	\$100.00

(Refer to Page 20 for the detail specifications.)

### 3.5" CENTER HEIGHT FOOT MOUNTING BRACKET

5.25"Hx3.2"Wx2.5"L	LM-001	\$90.00
--------------------	--------	---------

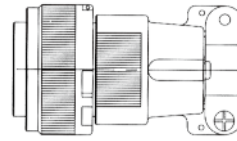
### 12" CIRCUMFERENCE MEASURING WHEEL (3.82" dia)

Material	Hub x Width	Part No.	List Price
Urethane	3/8" x 3/8"	MW-1-B	\$45.00
Urethane	3/8" x 1"	MW-1W-B	\$50.00

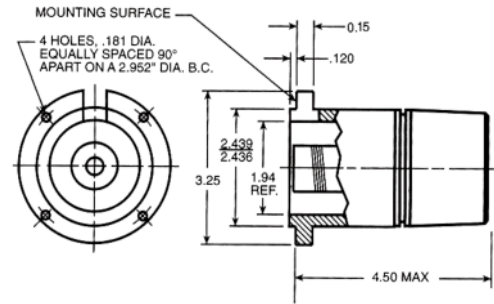
Urethane Rubber: 83A Shore Hardness

Operating Temperature: -25° to 65° C, -20° to 150° F

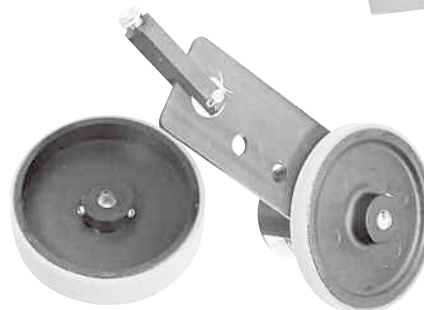
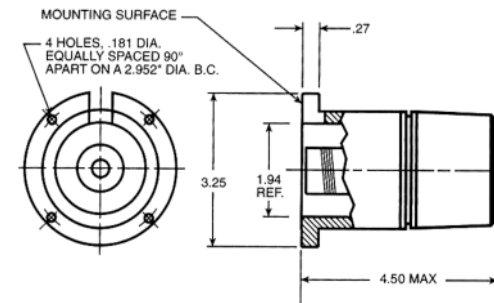
### Plug Connector



F-21



F-20



# OPTIONAL PARTS:

## Order Separately

### ● Measuring Wheel Mounting Adapter & Yoke Assembly Kit

Mt. Beam Size	Part No.	List Price
1/4" - 28	MTA/Y-1	\$30.00
3/8" - 16	MTA/Y-3	\$30.00

#### Measuring Wheel Mounting Adapter

Size	Part No.	List Price
6"x2.25"x1/8" Thickness	MTA-001	\$15.00

#### Yoke Assembly

Size	Mt. Beam Size	Part No.	List Price
2.25"L x 5/8"	1/4" - 28	Y-1	\$15.00
2.25"L x 5/8"	3/8" - 16	Y-3	\$15.00

### ● Measuring Wheel Mounting Adapter & Offset Foot Bracket Assembly Kit

Arm Length	Part No.	List Price
7.00"	MTA/MB-UB2	\$90.00
11.25"	MTA/MB-UB2A	\$100.00

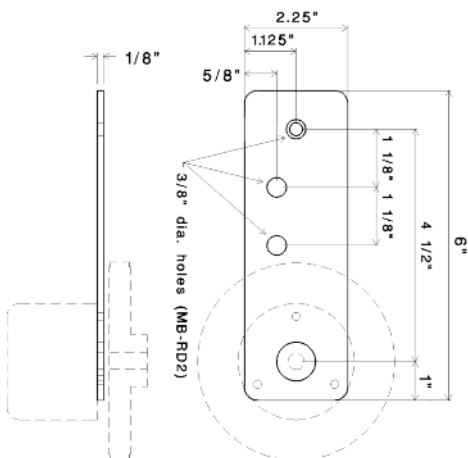
#### Measuring Wheel Mounting Adapter

Size	Part No.	List Price
6"x2.25"x1/8" Thickness	MTA-001	\$15.00

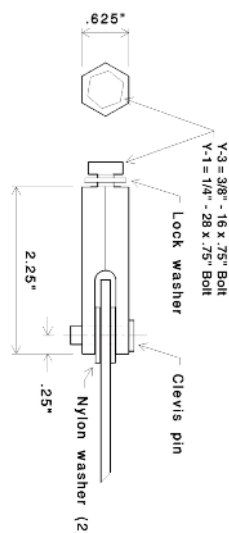
#### Offset Foot Bracket

Size	Part No.	List Price
3.125"H x 7.00" Arm	MB-UB2	\$60.00
3.125"H x 11.25" Arm	MB-UB2A	\$70.00

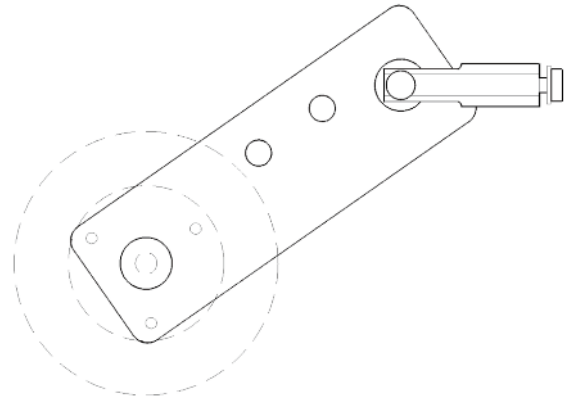
### Measuring Wheel Mounting Adapter



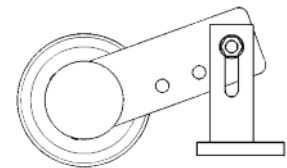
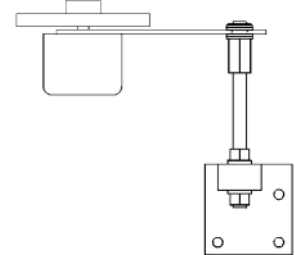
### Yoke Assembly



### Mounting Adapter & Yoke Assembly Kit



### Mounting Adapter & Offset Foot Bracket Assembly Kit



### Offset Foot Bracket

