

FLANGES

FEATURES

- NEMA 23, NEMA 34/42 Motor Mount Bell Flanges
- Size 2.1" O.D. NEMA 23 Flanges:
F-2 (1.05" height), **F-6** (1.34" height)
- Size 3.25" O.D. NEMA 34 Flange: **F-3**
- Size 3.25" O.D. NEMA 42 Flange: **F-8**

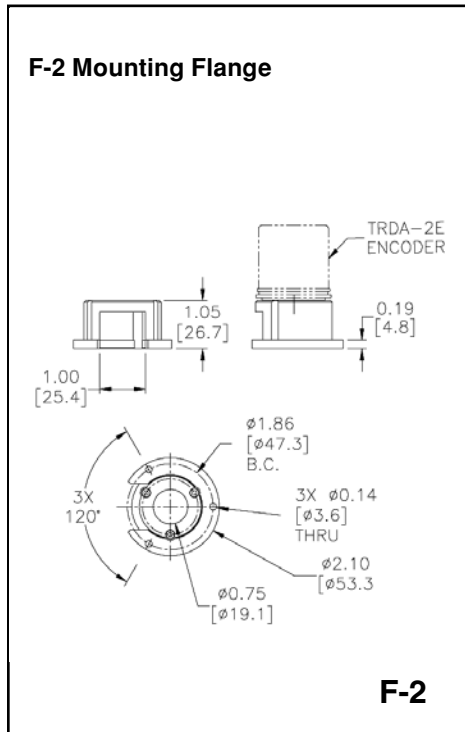
• **Parker Compumotor** Equivalent:

E 57= **F-6**, E 83/E 106= **F-8**

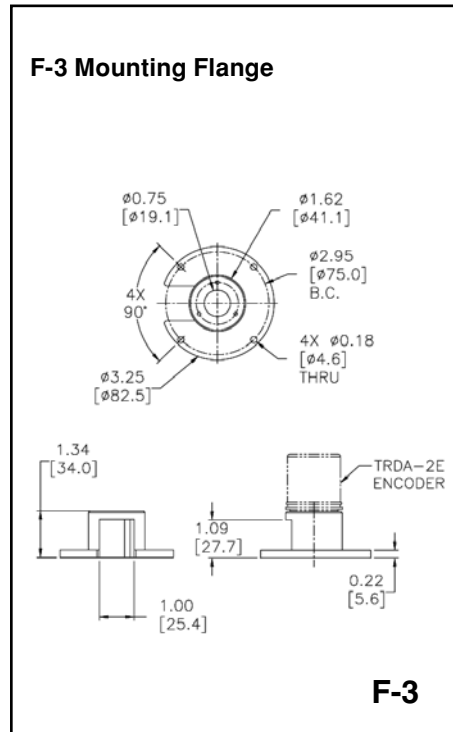
| | |
|----------------------|-------------|
| TRDA-2E1000V-F6-7135 | E57 |
| TRDA-2E1000V-F8-7136 | E83 |
| TRDA-2E1000V-F8-7137 | E106 |

• **Dynapar E-23 Series, DRC M21AA Series**
 Interchangeable: **F-7**

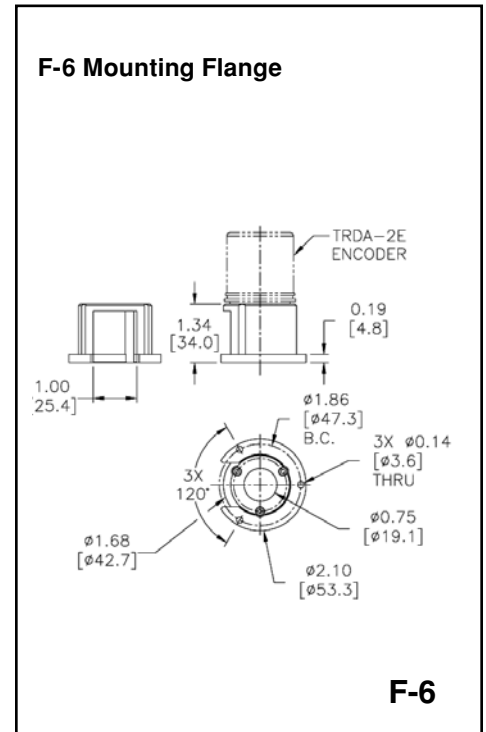
NEMA 23



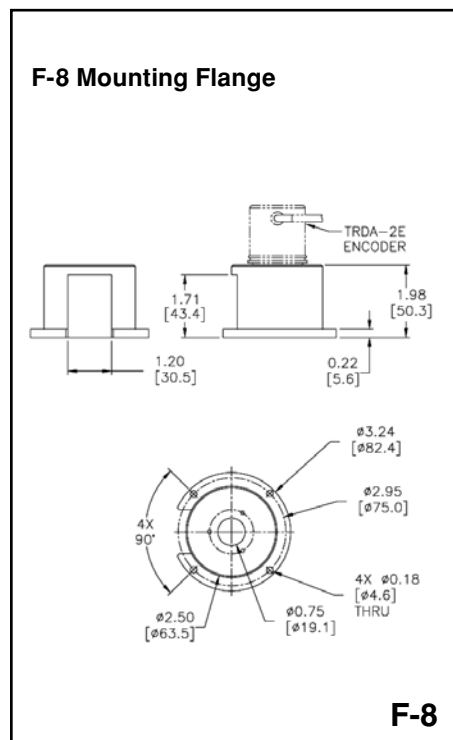
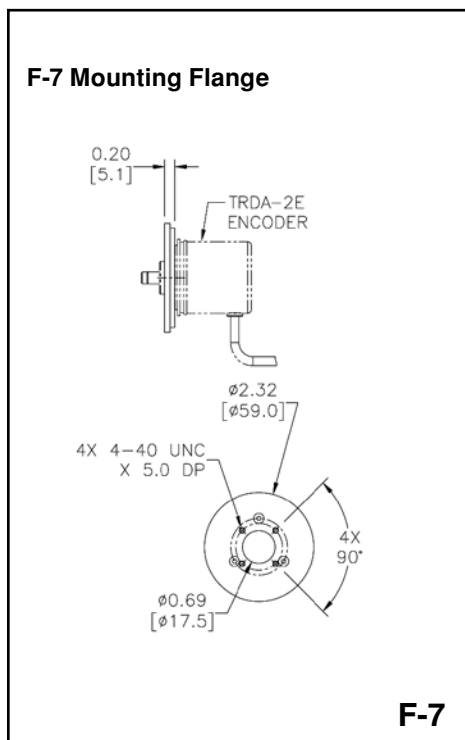
NEMA 34



NEMA 23



NEMA 42



| FLANGES | LIST PRICE |
|---------|------------|
| F-2 | \$35.00 |
| F-3 | \$40.00 |
| F-6 | \$35.00 |
| F-7 | \$30.00 |
| F-8 | \$50.00 |
| F-20 | \$60.00 |
| F-21 | \$60.00 |

NOTE: When F-7 flange will be mounted on the unit, shaft length get shorter to 1/4".